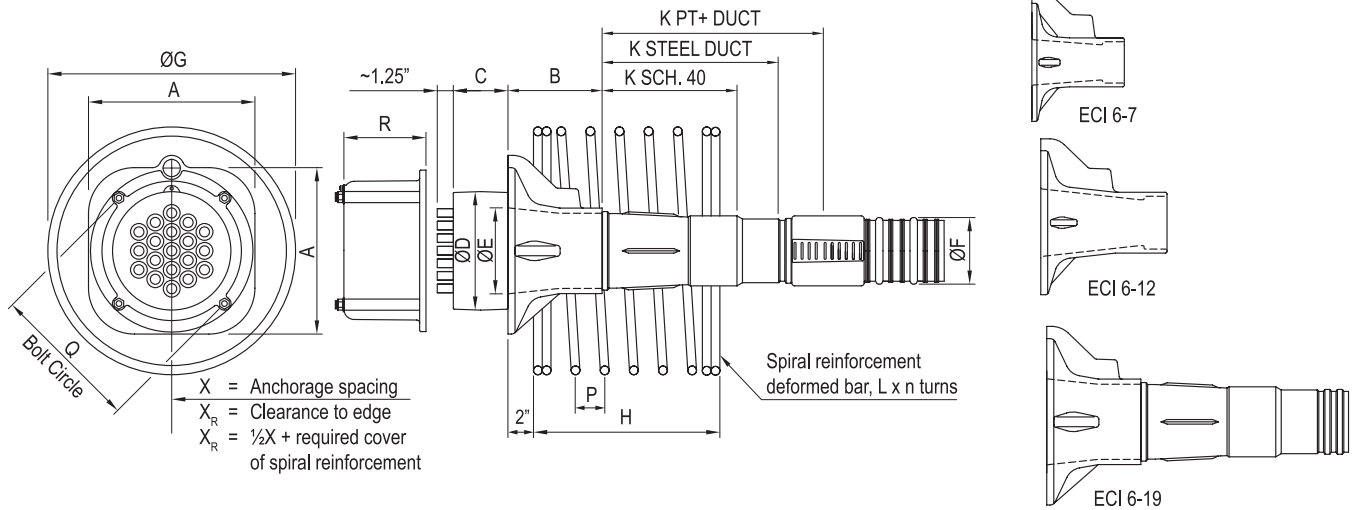
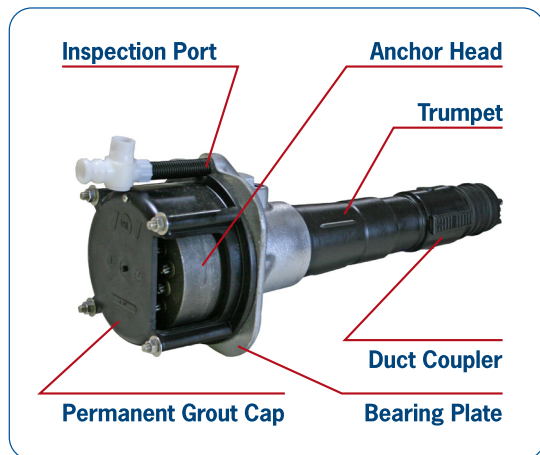


POST-TENSIONING SYSTEMS
Type ECI Stressing Anchorage



Dimensions (Inches)																				
Tendon Unit	f _{ci} (psi)	A	B	C	øD	øE	øF PT+ Duct	øF Steel Duct	øF SCH 40 Pipe	øG	H	K PT+ Duct	K Steel Duct	K SCH 40 Pipe	L	n	P	Q	R	X
6-7	3500	8.54	6.69	2.37	5.33	3.31	2.87	2.88	3.00	11.00	12.00	No Trumpet on 6-7			#4	6.50	3.00	7.40	4.17	13.00
6-7	5500	8.54	6.69	2.37	5.33	3.31	2.87	2.88	3.00	11.00	12.00	No Trumpet on 6-7			#4	6.50	3.00	7.40	4.17	13.00
6-12	3500	9.88	8.66	3.00	6.85	4.62	3.58	3.24	3.50	13.00	14.00	No Trumpet on 6-12			#5	7.00	3.00	8.66	4.86	15.00
6-12	5500	9.88	8.66	3.00	6.85	4.62	3.58	3.24	3.50	13.00	13.50	No Trumpet on 6-12			#4	7.00	3.00	8.66	4.86	15.00
6-19	3500	11.42	6.91	3.75	8.13	5.90	4.57	4.10	4.50	17.00	19.00	15.19	12.09	9.29	#5	11.50	2.00	10.24	5.63	19.00
6-19	5500	11.42	6.91	3.75	8.13	5.90	4.57	4.10	4.50	15.00	17.00	15.19	12.09	9.29	#5	10.50	2.00	10.24	5.63	17.00
6-22	3500	12.00	7.75	4.00	9.14	6.77	4.57	4.10	4.50	18.00	20.00	14.96	15.27	15.27	#5	10.00	2.00	10.79	5.93	21.00
6-22	5500	12.00	7.75	4.00	9.14	6.77	4.57	4.10	4.50	18.00	20.00	14.96	15.27	15.27	#4	8.00	2.50	10.79	5.93	20.00



www.structuraltechnologies.com
 + 1-410-859-6539

Notes:

Anchorage spacings are in accordance with test requirement of AASHTO (The Special Anchorage Device Acceptance Test Procedure, AASHTO 2000).

For proper design and detailing of anchorage zones and related reinforcement, refer to the VSL Publication Detailing for Post-Tensioning.

Dimensions are valid for:

- f_{ci} (psi) is the nominal minimum concrete cylinder strength at the time of stressing.
- Maximum prestressing force may be applied when concrete reaches a cylinder strength of 3,500 psi (24 Mpa) and 5,500 psi (38 Mpa) respectively.
- Temporary overstressing to 80% of Guaranteed Ultimate Tensile Strength.
- Yield strength of spiral reinforcement: Grade 60 (400 Mpa).
- Tie one and one-half turns of spiral at both ends.
- Additional orthogonal reinforcement is required in the local anchorage zone as determined by design.
- Spirals may be replaced by suitable orthogonal reinforcement.
- Information for other concrete strengths and conditions is available from your local Representative.
- Spiral reinforcement shall be centered on the anchorage assembly and be placed directly behind the bearing plate as indicated above.