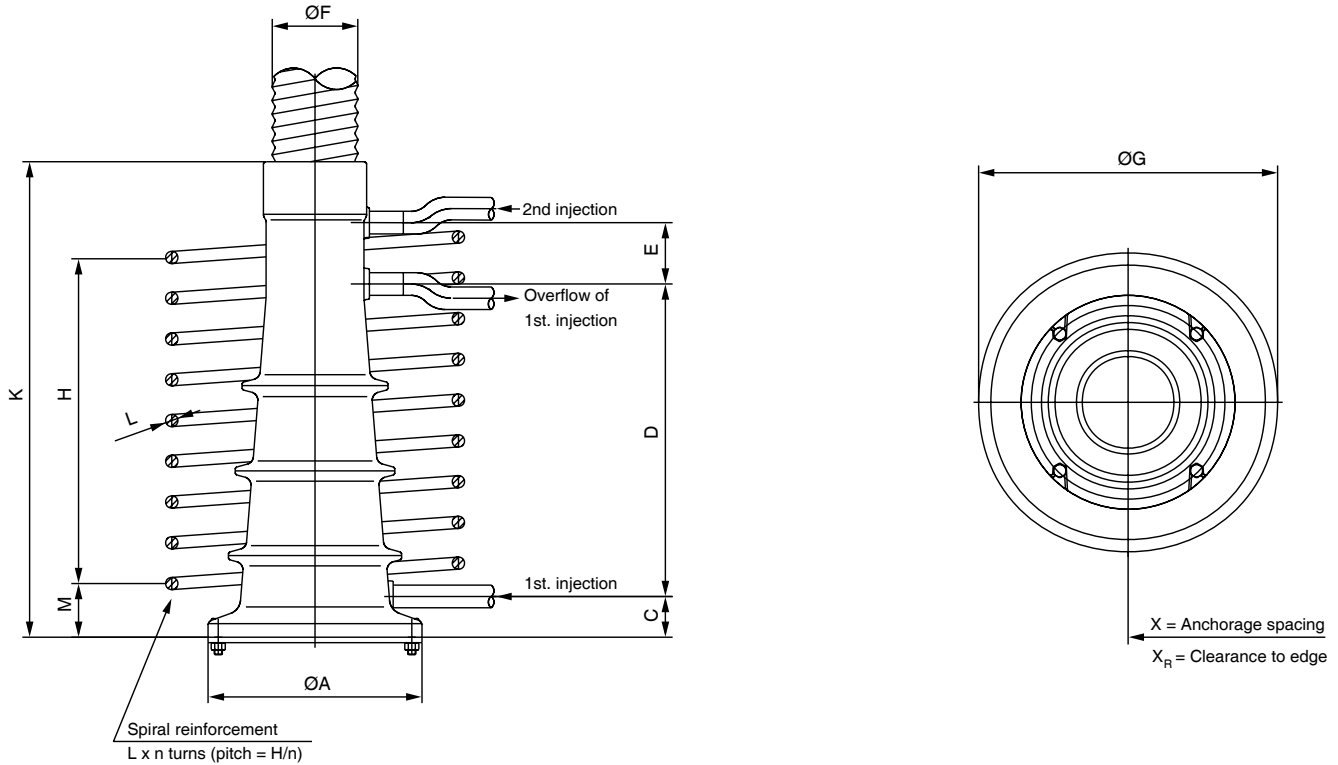
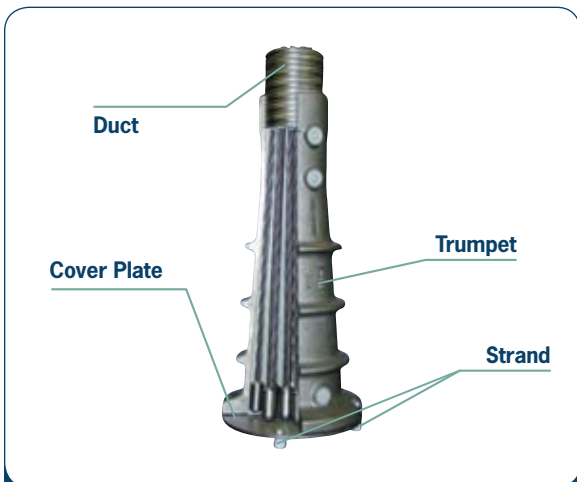


Type AF Dead-End Anchorage



Tendon Unit		Dimensions (Inches)												
		ϕA	C	D	E	ϕF Int.	ϕF (2) Ext.	ϕG	H	K	ϕL	n	M	X
0.6" Strand	6-12	10.43	2.36	18.11	3.54	3.74	4.02	14.96	17.72	27.56	#5	9.00	2.36	16.00
	6-19	12.40	2.36	18.11	3.54	4.72	5.00	18.90	21.26	27.56	#6	9.00	2.36	20.00
	6-31	14.76	2.36	25.98	3.54	5.91	6.18	24.41	25.98	35.43	#7	12.00	3.15	26.00



Notes:

- Anchorage spacings are in accordance with test requirement of AASHTO (The Special Anchorage Device Acceptance Test Procedure, AASHTO 2000).
- For proper design and detailing of anchorage zones and related reinforcement, refer to the VSL Publication *Detailing for Post-Tensioning*.

Dimensions are valid for:

- Nominal minimum concrete cylinder strength at 28 days: 4000 psi (28 MPa).
- Maximum prestressing force may be applied when concrete reaches a cylinder strength of 3,500 psi (24 MPa).
- Temporary overstressing to 80% of Guaranteed Ultimate Tensile Strength.
- Yield strength of spiral reinforcement: Grade 60 (400 MPa).
- Spirals may be replaced by suitable orthogonal reinforcement.
- Information for other concrete strength and conditions are available from your local VSL Representative.

www.vsl.net • 888-489-2687