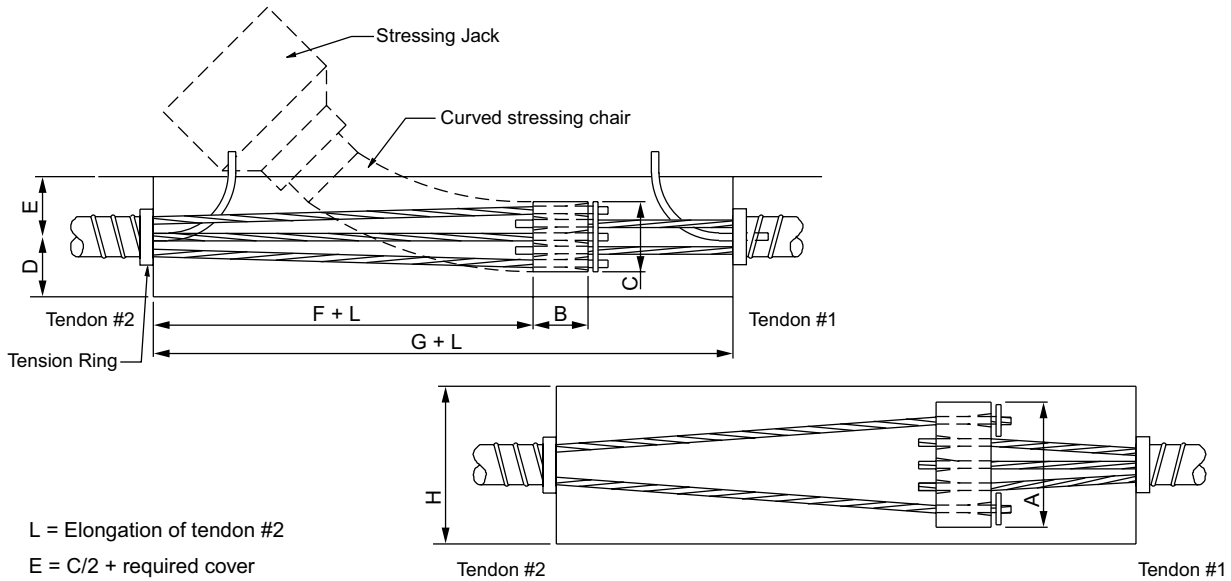
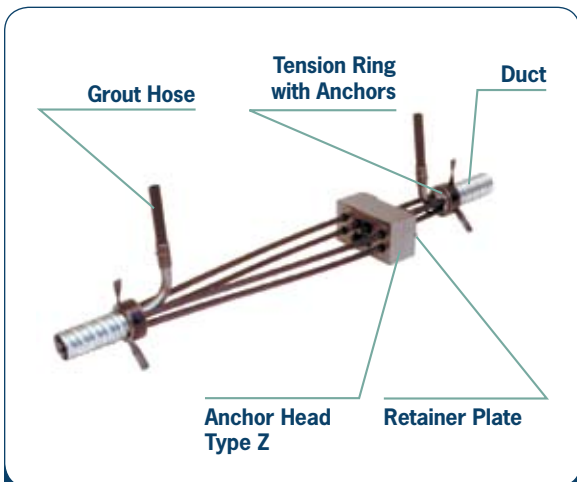


Type Z Intermediate Anchorage



		Dimensions (Inches)						
Tendon Unit		A	B	C	D	F ²	G ²	H
0.5" Strand	5-2 ¹⁾	5.12	2.36	3.15	2.36	15.75	22.05	6.69
	5-4 ¹⁾	6.30	2.76	3.54	2.56	19.69	28.35	7.87
	5-6	7.87	3.54	5.12	3.35	23.62	35.04	9.45
	5-8	8.62	4.12	4.50	3.00	29.50	46.38	10.25
	5-12	11.02	5.51	5.51	3.54	39.37	56.69	12.60
	5-22	13.78	6.69	7.87	4.72	57.09	81.50	15.35
0.6" Strand	6-2 ¹⁾	5.51	2.76	3.54	2.56	17.72	24.41	7.09
	6-4 ¹⁾	6.69	3.15	3.94	2.76	35.43	44.49	8.27
	6-6	8.27	3.94	5.51	3.54	39.37	51.97	9.84
	6-12	11.81	6.30	6.30	3.94	53.15	75.20	13.39
		6-22	15.75	7.48	9.84	5.71	59.06	90.16



Notes:

- Tension ring required on #2 side of the anchorage.
- Blockout dimensions dependent upon the shape of the concrete surface and the tendon elongation.
- The values stated apply for surfaces which are not curved.

www.vsl.net • 888-489-2687