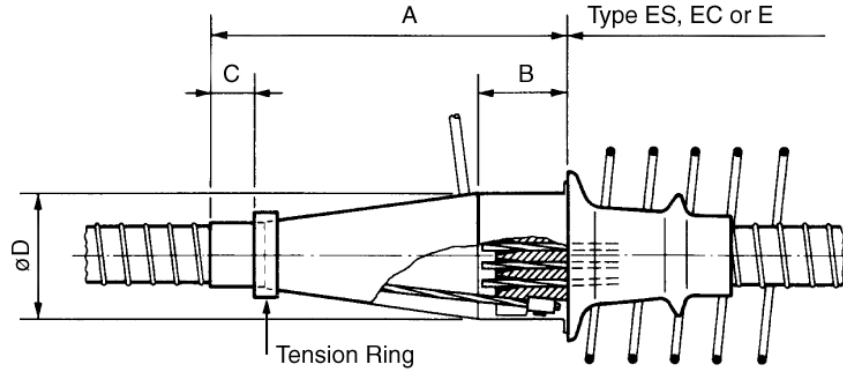
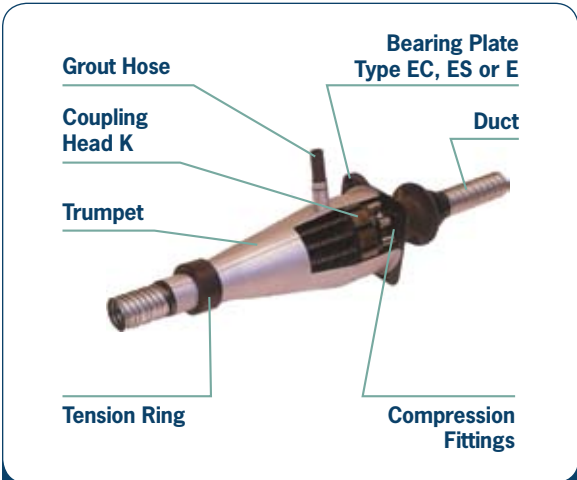


# Type K Coupler



Tendon Unit		Dimensions (Inches)			
		A	B	C	øD
0.5" Strand	5-3	16.93	5.51	1.57	5.12
	5-7	21.65	5.51	2.36	6.69
	5-12	25.59	5.51	2.36	7.87
	5-19	29.13	5.51	3.15	9.45
	5-22	32.68	5.51	3.54	10.24
	5-31	44.88	5.51	3.54	13.78
	5-37	51.97	7.09	4.72	15.35
	5-42	50.79	7.09	5.12	15.55
	5-55	53.94	7.87	5.91	16.54
0.6" Strand	6-2	14.96	5.91	1.18	5.51
	6-3	19.29	6.30	2.36	5.91
	6-4	20.47	6.30	2.36	6.30
	6-7	24.80	6.30	2.76	7.48
	6-12	28.74	6.30	3.15	9.45
	6-19	33.86	6.30	3.54	11.02
	6-22	36.61	6.30	3.54	12.20
	6-31	42.91	7.09	5.12	14.17
	6-37	54.72	7.87	5.12	16.93



- Notes:**
- Tension ring required as shown.
  - Refer to applicable systems data sheet for bearing plate data and dimensions.
  - Use of couplers requires special procedures and detailing. Contact your local VSL Representative.

[www.vsl.net](http://www.vsl.net) • 888-489-2687